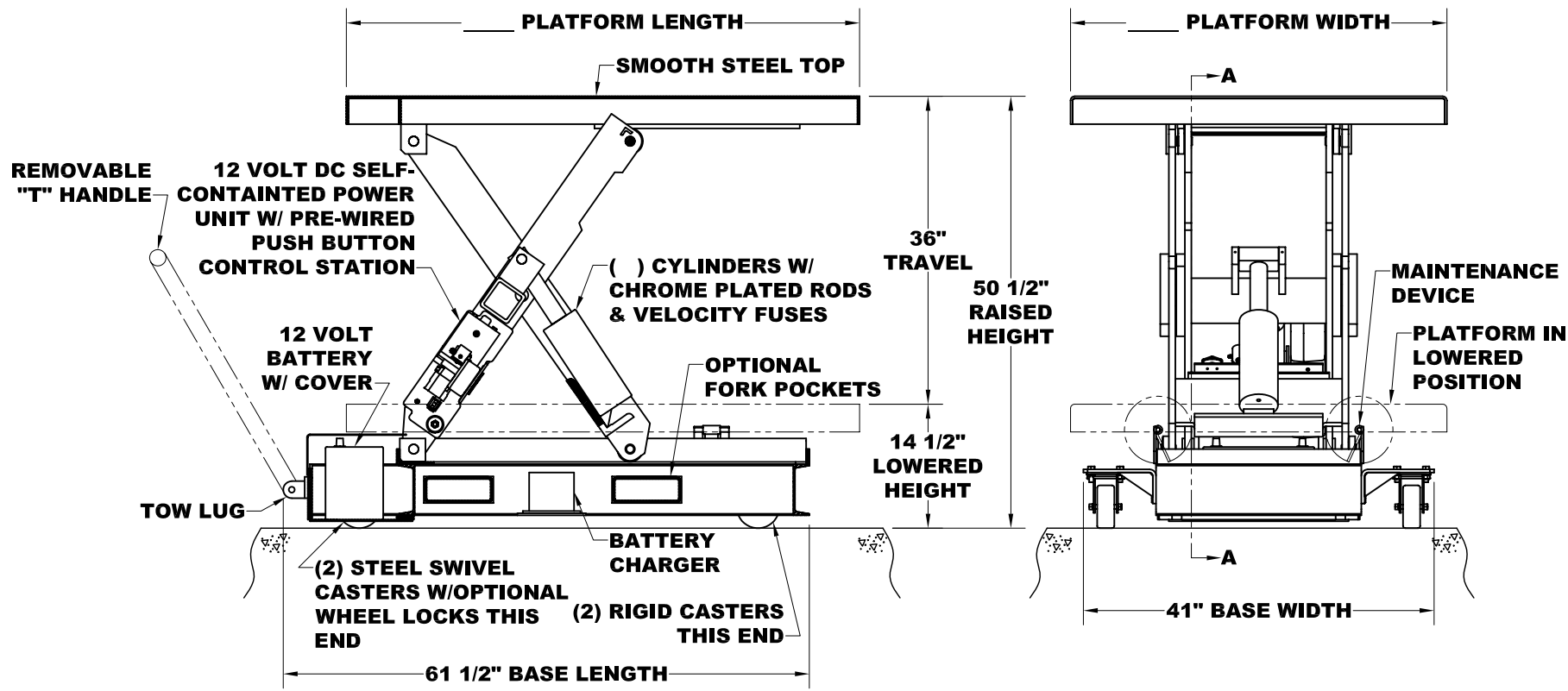


NOTES:

1. ALL AXLES, ROLLERS, AND PIVOT POINTS ARE EQUIPPED WITH LIFETIME LUBRICATED BEARINGS. CASTERS ARE EQUIPPED WITH GREASED BEARINGS.
2. LIFT TO BE PAINTED AQ STANDARD ENAMEL.
3. AVAILABLE WITH OPTIONAL FLOOR LOCK ON CLEVIS END, OPTIONAL WHEEL BRAKE, &/OR OPTIONAL SWIVEL LOCKS.
4. MEETS OR EXCEEDS ANSI MH29.1 STANDARD FOR INDUSTRIAL SCISSORS LIFTS.

MODEL:	36SRV
MAX. CAPACITY:	LBS.
LOWERED HEIGHT:	14 1/2"
TRAVEL:	36"
RAISED HEIGHT:	50 1/2"
ACCESSORIES PER QUOTATION	

THIS PROPOSAL DRAWING IS GENERIC BY DESIGN AND IS FOR REFERENCE ONLY. PLEASE CONTACT AUTOQUIP FOR JOB SPECIFIC APPROVAL DRAWINGS.



(NOT TO SCALE)
 PROPOSAL DRAWING
 QUOTE NO. _____
 826-0161-0

36" TRAVEL "ROVER"
 DC-POWERED PORTABLE LIFT

REV. 2 (02/09/06)

© COPYRIGHT RESERVED
 AUTOQUIP CORPORATION
 2006

Autoquip
 AUTOQUIP CORP.
 1058 W. INDUSTRIAL AVE.
 GUTHRIE, OK 73044-1058
 888-811-9876 WWW.AUTOQUIP.COM