

**NOTES:**

1. ALL AXLES, ROLLERS AND PIVOT POINTS ARE EQUIPPED WITH LIFE-TIME LUBRICATED BEARINGS.
2. LIFT TO BE PAINTED AQ STANDARD ENAMEL.
3. MEETS OR EXCEEDS ANSI MH29.1 STANDARDS FOR INDUSTRIAL SCISSORS LIFT.

MODEL NO: \_\_\_\_\_

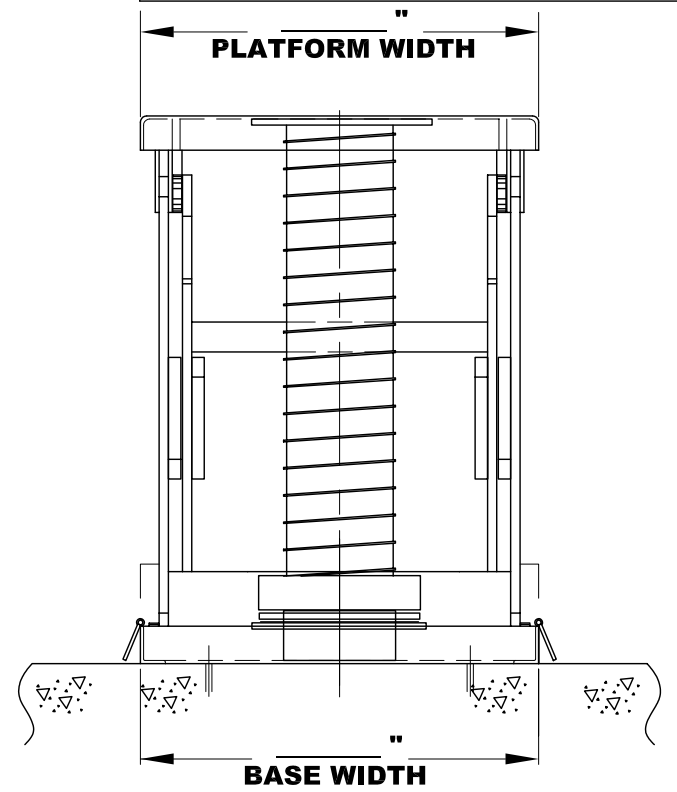
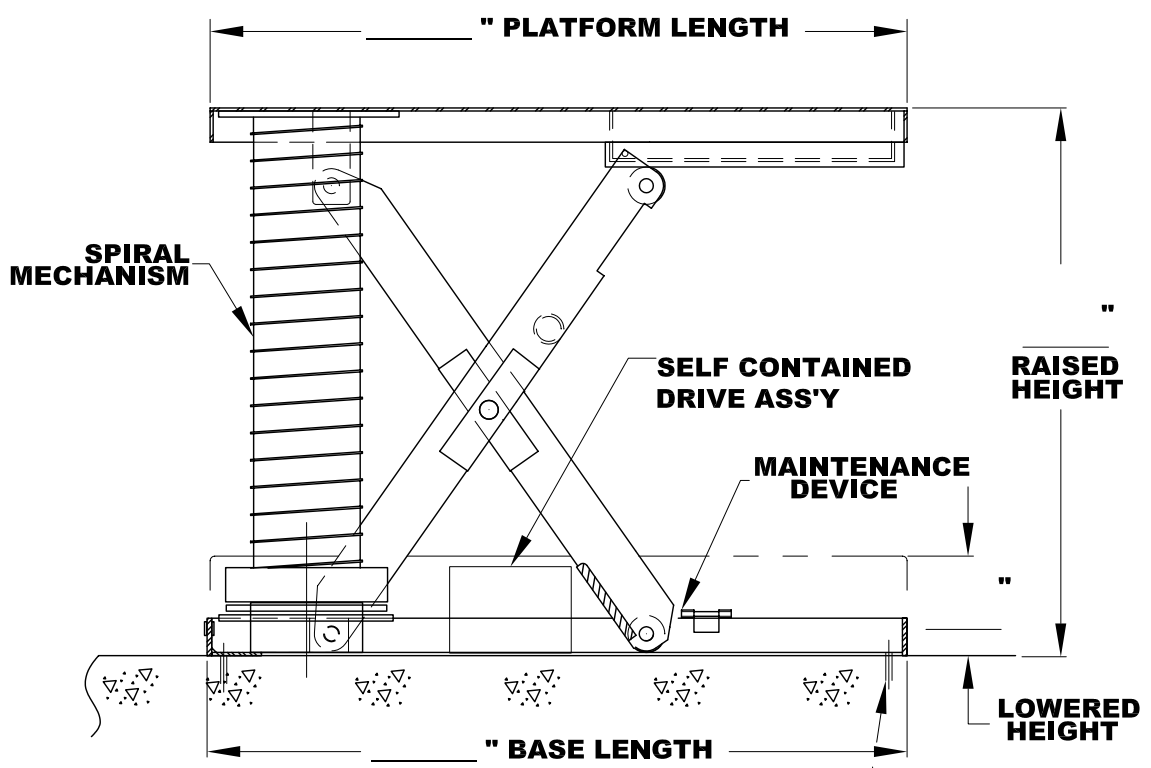
MAX CAPACITY: \_\_\_\_\_

LOWERED HEIGHT: \_\_\_\_\_

TRAVEL: \_\_\_\_\_

RAISED HEIGHT: \_\_\_\_\_

**POWER UNIT, CONTROLS, AND ACCESSORIES PER QUOTATION.**



**THIS PROPOSAL DRAWING IS GENERIC BY DESIGN AND IS FOR REFERENCE ONLY. PLEASE CONTACT AUTOQUIP FOR JOB SPECIFIC APPROVAL DRAWINGS.**

**BASE IS PRE-DRILLED FOR LAGGING LIFT SECURELY TO FLOOR.**

***SPIRALIFT - SURFACE MOUNTED***

(NOT TO SCALE)  
 PROPOSAL DRAWING  
 QUOTE NO. \_\_\_\_\_  
**826-0031-0 REV. 3, 5-24-02**

© COPYRIGHT RESERVED  
 AUTOQUIP CORPORATION  
 2002

***Autoquip***  
 AUTOQUIP CORP.  
 1058 W.INDUSTRIAL AVE.  
 GUTHRIE, OK 73044-1058  
 888-811-9876 WWW.AUTOQUIP.COM