

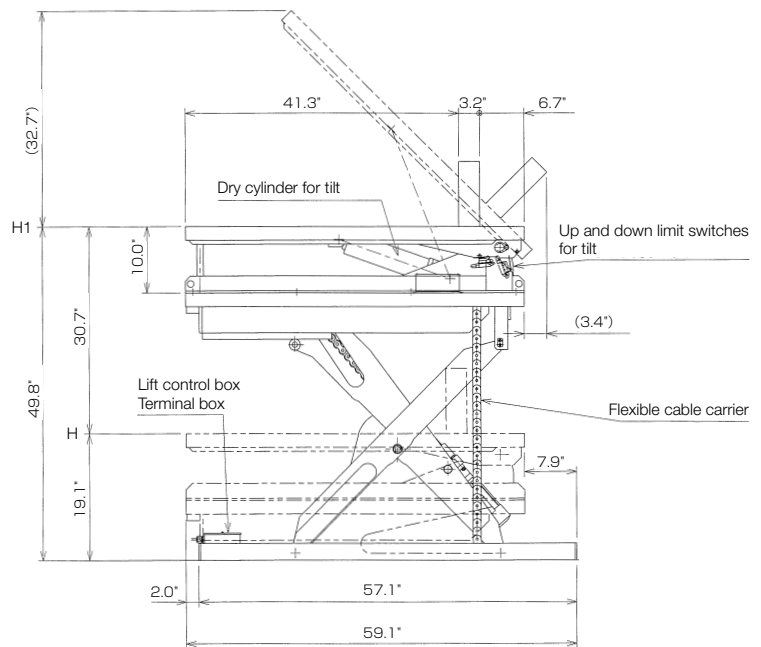
MLI Mechanical-Electric Lift (Ball Screw, Electric)
Tilt

Introducing a new model with a tilting table.
The ability to load carts as they are facilitates efficient assembly work.

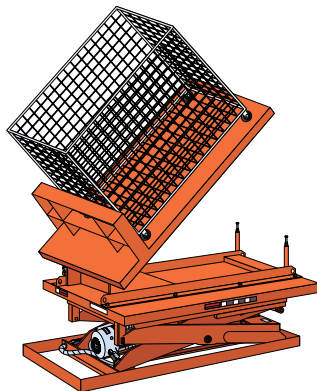


MAJOR FEATURES

- Vector control
- Dry ball screw cylinder
- No oil leaks
- 220 V Three-phase power supply for lift
- 220 V Single-phase power supply for tilt (Uses IPM motor for tilt)
- Built-in unit
- Power cord: 13.1 feet
- Tilting range: 45° degrees



Control switch



Load capacity: 2205 lbs

Unit: inch

	Model	Load capacity	Table dimensions (W x L)	Stroke (ST)	Table height (H to H1)	Tilting range	Duration of lifting and lowering in seconds	Motor output Watts	Dead weight
Standard	MLI-1000-1013TILT	2205 lbs	39.4"×52.1"	30.7"	19.1" to 49.8"	45°	35	400	838 lbs

Note Not for use as a welding table.