

MODEL: L-230

CAPACITY: 2000 POUNDS

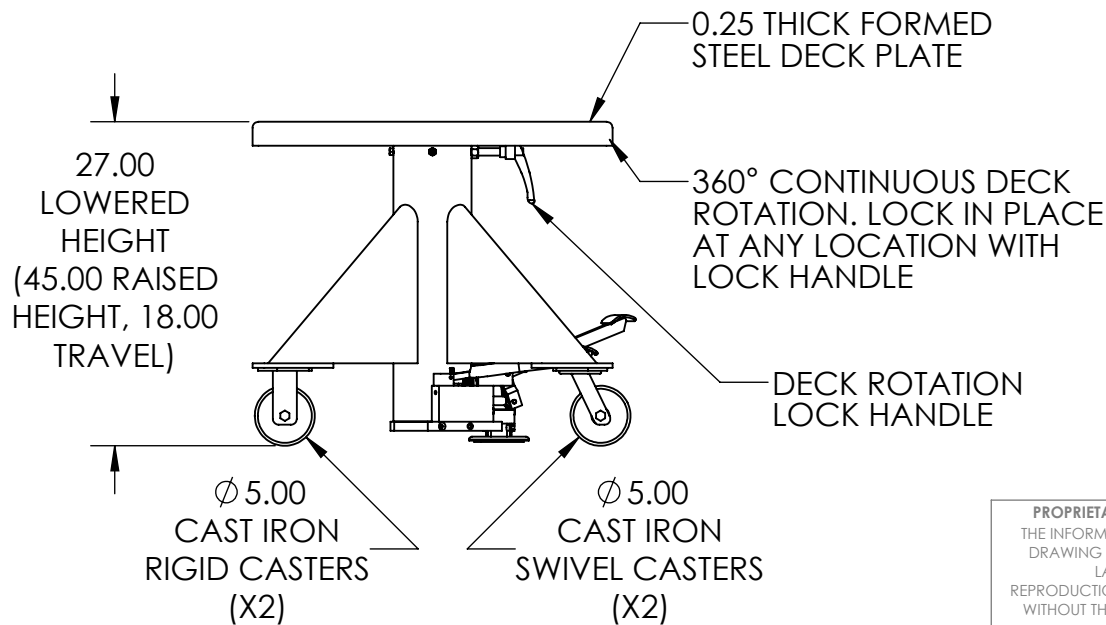
DECK: 30" SQUARE, 360° CONTINUOUS ROTATION WITH LOCK HANDLE

BASE: 30" SQUARE WITH FLOOR LOCK, (2) CAST IRON RIGID CASTERS, (2) CAST IRON SWIVEL CASTERS, (1) FLOOR LOCK

CONTROL: MANUAL FOOT PUMP, PUMP TO RAISE, DEPRESS TO LOWER

PAINT: MACHINE GREEN

NOTES: WE CAN MODIFY ANY OF OUR PRODUCTS OR COMPLETELY CUSTOMIZE A LIFT FOR YOUR UNIQUE APPLICATIONS. PLEASE CONTACT YOUR SALES REPRESENTATIVE



DIMENSIONS ARE
IN INCHES

PROPRIETARY AND CONFIDENTIAL
THE INFORMATION CONTAINED IN THIS
DRAWING IS THE SOLE PROPERTY OF
LANGE LIFT. ANY
REPRODUCTION IN PART OR AS A WHOLE
WITHOUT THE WRITTEN PERMISSION OF
LANGE LIFT IS
PROHIBITED.

 <p>LANGE-LIFT A DIVISION OF HEVI-HAUL INTERNATIONAL, LTD.</p>		<p>Lange Lift Company a Division of Hevi-Haul Int'l. Ltd. PO Box 580 Menomonee Falls, WI 53052-0580 Toll Free : +1 800.558.0577 P: +1 262.502.0333 F: +1 262.502.0260 E-Mail: sales@langelift.com</p>	
DRAWN BY:		CHECKED BY/DATE:	
D. Knaebe			
TITLE:		DATE:	
L-230 Specification Sheet		12/28/2012	
SCALE:	DWG. NO.	REV.	
1:16	L-230		