

**MODEL:** L-330

**CAPACITY:** 3000 POUNDS

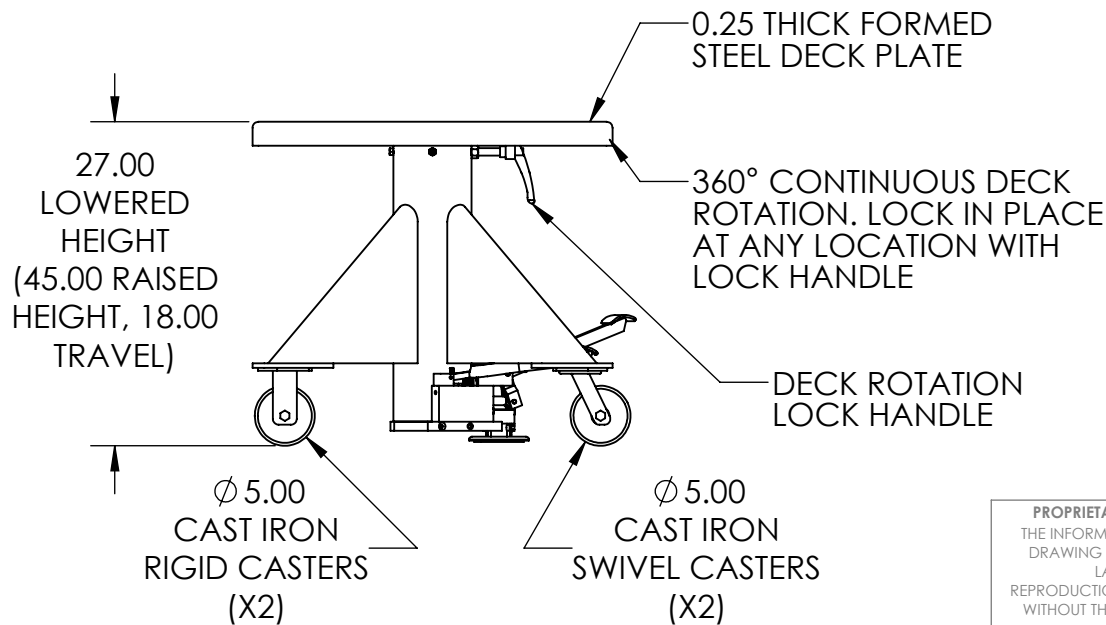
**DECK:** 30" SQUARE, 360° CONTINUOUS ROTATION WITH LOCK HANDLE

**BASE:** 30" SQUARE WITH FLOOR LOCK, (2) CAST IRON RIGID CASTERS, (2) CAST IRON SWIVEL CASTERS, (1) FLOOR LOCK

**CONTROL:** MANUAL FOOT PUMP, PUMP TO RAISE, DEPRESS TO LOWER

**PAINT:** MACHINE GREEN

**NOTES:** WE CAN MODIFY ANY OF OUR PRODUCTS OR COMPLETELY CUSTOMIZE A LIFT FOR YOUR UNIQUE APPLICATIONS. PLEASE CONTACT YOUR SALES REPRESENTATIVE



DIMENSIONS ARE  
IN INCHES

**PROPRIETARY AND CONFIDENTIAL**  
THE INFORMATION CONTAINED IN THIS  
DRAWING IS THE SOLE PROPERTY OF  
LANGE LIFT. ANY  
REPRODUCTION IN PART OR AS A WHOLE  
WITHOUT THE WRITTEN PERMISSION OF  
LANGE LIFT IS  
PROHIBITED.

		Lange Lift Company a Division of Hevi-Haul Int'l. Ltd. PO Box 580 Menomonee Falls, WI 53052-0580 Toll Free : +1 800.558.0577 P: +1 262.502.0333 F: +1 262.502.0260 E-Mail: sales@langelift.com	
DRAWN BY:		CHECKED BY/DATE:	
D. Knaebe			
TITLE:		DATE:	
L-330 Specification Sheet		12/28/2012	
SCALE:	DWG. NO.	REV.	
1:16	L-330		