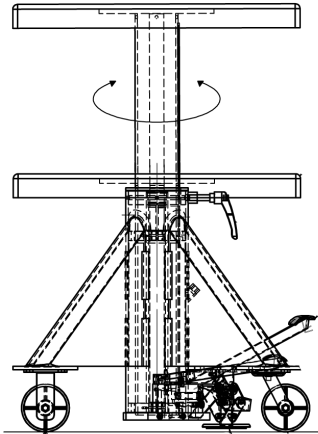




LANGE LIFT MANUAL TABLES



[STANDARD FEATURES]

- Reinforced Formed Steel Deck
- 360° Continuous Deck Rotation with Lock Handle. Locks Deck in Place at Any Height, in Any Position
- Hydraulic Foot Pump, Base Mounted
- Pedals, Up & Down, Base Mounted
- 45" Raised Height
- 27" Lowered Height
- 18" Vertical Travel
- Cast Iron Casters - (2) Rigid, (2) Swivel
- Industrial Strength Floor Lock

[OPTIONS] PARTIAL LIST

- Ball Transfer Deck
- Roller Conveyor Deck
- Round Decks
- Tilting Decks, Manual & Powered
- Powered Raise, Lower
- Powered Rotation
- UHMW or Rubber Deck Covers
- Tooling Slots & Mounting Holes
- Poly on Iron Casters
- Dual Floor Locks

..with Lange Lift your options are truly endless. Have a unique modification? Call us or e-mail us today!

	MODEL	CAPACITY	DECK		MODEL	CAPACITY	DECK
1,000 SERIES	L-124	1,000 lbs.	24" Square	4,000 SERIES	L-424	4,000 lbs.	24" Square
	L-130	1,000 lbs.	30" Square		L-430	4,000 lbs.	30" Square
	L-136	1,000 lbs.	36" Square		L-436	4,000 lbs.	36" Square
	L-148	1,000 lbs.	48" Square		L-448	4,000 lbs.	48" Square
2,000 SERIES	L-224	2,000 lbs.	24" Square	<p>Call Us for Capacities Over 5,000 lbs. Limited Stock Available Due to Available Options</p>			
	L-230	2,000 lbs.	30" Square				
	L-236	2,000 lbs.	36" Square				
	L-248	2,000 lbs.	48" Square				
3,000 SERIES	L-324	3,000 lbs.	24" Square				
	L-330	3,000 lbs.	30" Square				
	L-336	3,000 lbs.	36" Square				
	L-348	3,000 lbs.	48" Square				



Whether it's a standard, modified or custom design, our dedicated staff will work closely with you to provide you with high quality products that are built to last in harsh, high cycle environments. We've been manufacturing the most robust lifts in the world since 1934. All of our products are manufactured in the United States of America using high quality raw materials and components. Give Lange Lift a call or e-mail us today, we'd love to create an **upLIFTING** experience for you!



MADE IN THE USA