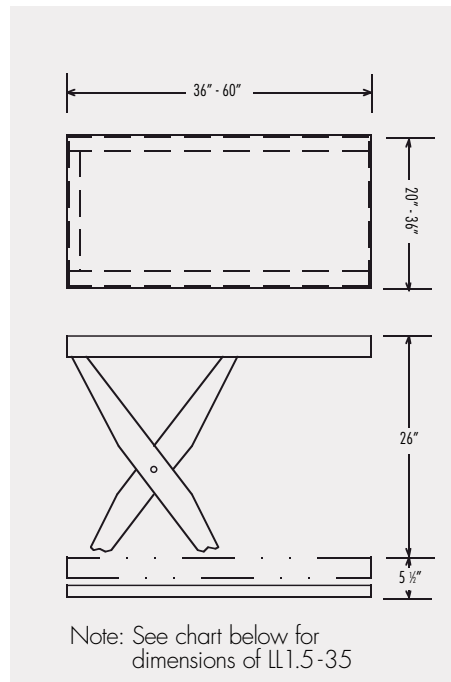


BACKSAVER LITE



Backsaver Lites are available in 550, 1100 and 1500 pound capacities with a variety of table top sizes to 36" x 60".



Model	Capacity	Vertical Travel	Height		Standard Platform	Max Platform	Rise Time Seconds	HP	Voltage Phase/Hertz	Weight (lb) STD Platform
			Min	Max						
LL05.5-26	550	26"	5½"	31½"	20" x 36"	36" x 60"	9	1/2	115/1/60	240
LL1.1-26	1100	26"	5½"	31½"	20" x 36"	36" x 60"	21	1/2	115/1/60	250
LL1.5-35	1500	35"	6¼"	41¼"	24" x 48"	36" x 60"	32	1/2	115/1/60	450