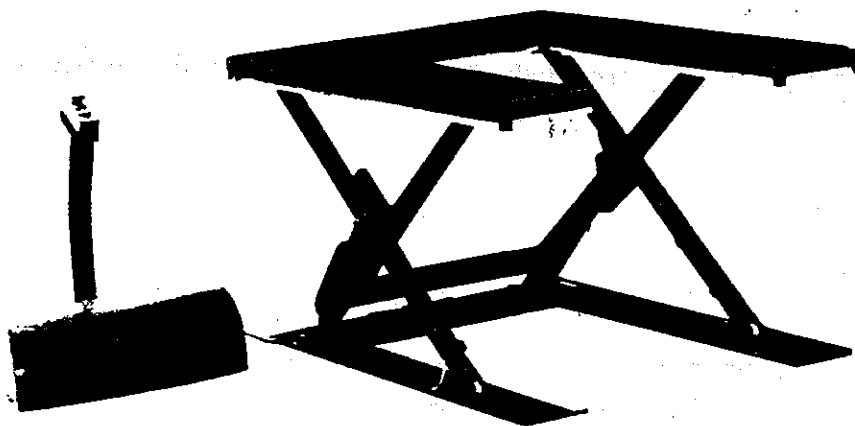


Instruction Manual

Low Profile Lift Table



ETU1000 ETU1500

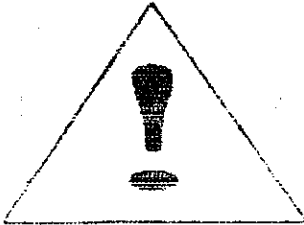
Note: Owner/Operator must read and understand this instruction manual before using the low profile lift table

Vestil # EHU-2
EHU-3

THANK YOU VERY MUCH FOR SELECTING OUR PRODUCT. THIS INSTRUCTION MANUAL DESCRIBES CORRECT OPERATING METHOD TO ENSURE PROLONGED SERVICE LIFE. PLEASE READ AND COMPLETELY UNDERSTAND THIS MANUAL BEFORE OPERATING THE LOW PROFILE LIFT TABLE. ALWAYS KEEP THIS MANUAL AT AN APPROPRIATE PLACE. IF THE MANUAL OR WARNING DECAL IS MISSING, PLEASE CONTACT WITH DEALER.

Note: This manual has been prepared for skilled and competent personal. It provides instructions for using the product correctly and parts list. This Manual cannot replace the professional skills and expertise of the user.

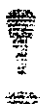
1.



WARNING! If operating the lift table improperly, a person may be seriously injured. Therefore, operate properly according to the following instruction

- ◇ Read & thoroughly understand the instruction manual completely before using. Follow all safety instructions strictly.
- ◇ It is necessary to check all safety devices before operation.
- ◇ Make sure that there are no obstacles in the working area.
- ◇ Do not put foot or hand in scissors mechanism or through frame.
- ◇ Screw the lifting eyes on the base frame before working on the lift table.
- ◇ Do not overload the lift table. Load should be distributed on the table according to relevant load distribution chart.
- ◇ Pay attention if local voltage and frequency is as same as the input specification of the lift table.
- ◇ Use the lift table on flat and solid ground.
- ◇ All the electrical connection and disconnection operations must be carried out by skilled and competent personal.
- ◇ While operation, it is forbidden to contact the moving parts of the lift table.
- ◇ While the lift table moving, it is forbidden to adjust or to move the load
- ◇ It is forbidden to lift the load, which perhaps does harm to a person or other object.
- ◇ It is forbidden to operate the lift table while a person is under the table.
- ◇ Do not adjust the safety valve of hydraulic power pack.
- ◇ It is forbidden to operate the lift table even if there is underf the table.
- ◇ Do not adjust the safety valve of hydraulic power pack.
- ◇ It is forbidden to operate the lift table even if there is small structure distortion.
- ◇ Do not use in an explosive or flammable place.

2.

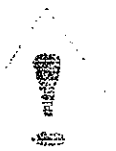


CAUTION! If operating the lift table improperly. A person may be injured. Therefore, operate properly according to the following instruction.

- ◇ The lift table is a moveable lifter designed to lift or lower rated load. Do not use it for other purpose.
- ◇ Do not allow a person to operate the lift table, who does not understand its operation.
- ◇ It is forbidden to change the lift table without manufacture's written admission.
- ◇ It is necessary to use the spare parts designated by manufacturer.
- ◇ Make sure to keep a distance between the table and ambient objects enough to operate the lift table safety.
- ◇ Keep the hydraulic system under clean and safe condition.
- ◇ The hydraulic power pack features an electric lowering control those coils. The coils must be fed with the power supply voltage should not exceed $\pm 10\%$ of the rated required votage.
- ◇ Always do maintenance and routine check while the lift table is unloaded.
- ◇ The lift table is not waterproof and should be used in a dry environment.

3. DAILY INSPECTION

Daily inspection is effective to find the malfunction or fault on the lift table. Before operation, check the lift table according to the following points.



CAUTION! Do not use the lift table if any malfunction or fault is found.

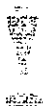
- ◇ Check all the terms of WARNING and CAUTION.
- ◇ Check scratches, bending or crack on the lift table.
- ◇ Check smooth movement of the table.
- ◇ Check if there is any dydraulic oil leakage.
- ◇ Check the vertical creep of the table.
- ◇ Check if all the bolts and nuts are firmly tightened.

4. Operating the lift table

■ LOADING

The maximum capacity of the lift table is 1000kg:2000kg. Load should be distributed on the lift table equably.

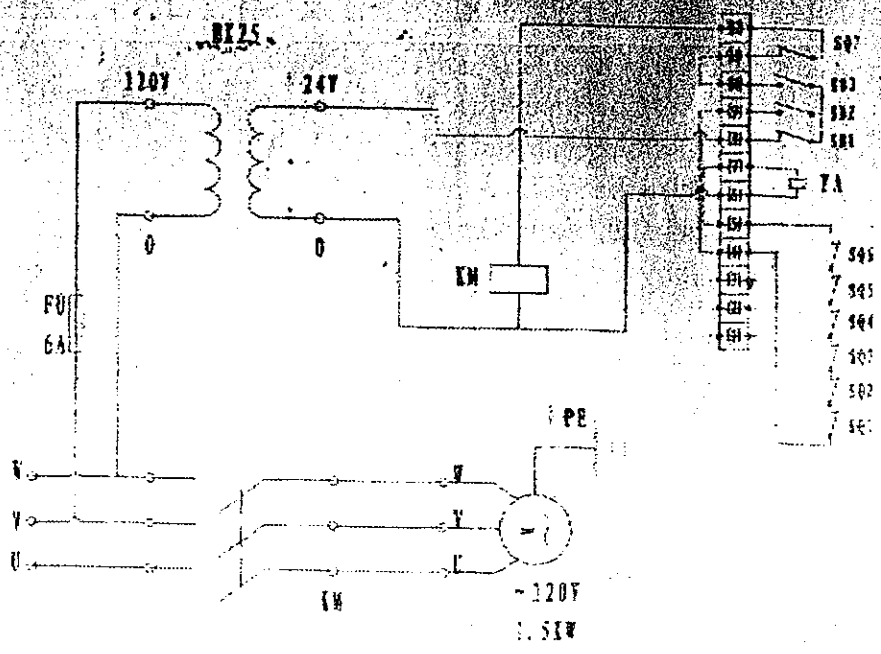
■ Lifting the Table



CAUTION! Do not overload the lift table. Ensure the balance of loading. Do not load partially or concentrically

- ◇ Screw and loose emergency stop switch.
- ◇ Push the UP button and power pack starts to work to lift the load.
- ◇ Loose the UP button and power pack stops working.

ELECTRIC PRINCIPLE DIAGRAM



No.	Description	Specification	Q'ty	Marks
BK	Power Transformer	25V (120V-24V)	1	
FU	Fuse	RT14-20 (6A)	1	
KM	Contact	CJX2-1201/24V	1	
M	Hydraulic Power Pack	120V/1.5kW	1	
PE	Ground Wire		1	
SQ1-6	Control Switch-down	TZ-8104	6	
SQ7	Control Switch-up		1	
YA	Fuse-down	AC24V	1	
SB1	Emergency Button			
SB2	Button - up			
SB3	Button - down			

Fig. 2 Electric Principle Diagram

■ Lowering the Table



WARNING! Do not put foot or hand in scissors mechanism.

- ◇ Push the DOWN button and the table will lower.
- ◇ Loose the DOWN button and the table will stop.

NOTE

- ◇ The table is equipped with an aluminum guard to avoid accidental danger.
- ◇ If aluminum guard strikes an object while the table lowers, stop operation and check the lift table. After making sure no any abnormality, strike the UP button slightly and then the electric system will function as before.
- ◇ Emergency stop
- ◇ There are two methods of emergency stop as follows.
- ◇ Push down the emergency stop switch and the movement of table stops.
- ◇ Strike aluminum guard upward and the movement of table also stops.

■ Transportation

If necessary, the lift table can be transported with attached righbolts.

- ◇ Pay attention to the maximum capacity of lifting equipment to be used.
- ◇ Keep the righbolts with reasonableness.

5. HYDRAULIC CIRCUIT & ELECTRIC PRINCIPLE DIAGRAM

See Figure 1 & Figure 2

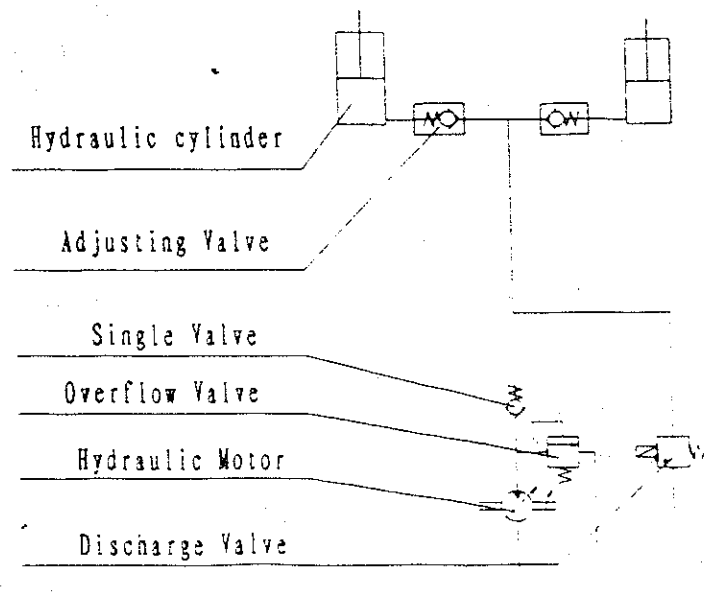


Fig. 1 Hydraulic circuit

6. Specification

Model		ETU1000	ETU1500
Capacity (kg/lb)		1000kg 2200lb	1500 3300lb
Min. Height (mm)		85	105
Max. Height (mm)		860	880
Platform Dimensions LxW (mm)		1450 x 1140	1600 x 1180
Approx. Lifting Time while Loaded Rated Capacity		≤ 20s	
Motor	Output (w)	1100	1500
	Voltage (v)	400	
	Revolution (r/min)	1400	
	Protection Class	IP.54	
	Insulation Class	F	
Net Weight (kg)		280	380

7. SERVICE INSTRUCTIONS

- Do routine check of fasteners, packing and oil leaking.
- Do routine check of the function of the lift table.
- Before service the lift table, make sure to turn off the AC power supply.
- After service it is necessary to check the function of the lift table again.
- ONLY a qualified person can do service work.
- Do routine check of the micro-switches on the safety guard.
- Do routine check of the hydraulic system by listening its noise, touch motor's surface.
- Caution: It is necessary to turn off the AC power supply before touch motor's surface.
- Pay attention to clear or even replace the oil filter after operating for a long time.
- Appropriate lubrication is necessary to make the lift table work easily and have a prolonged service life.
- Following table is recommended to service the lift table periodically.

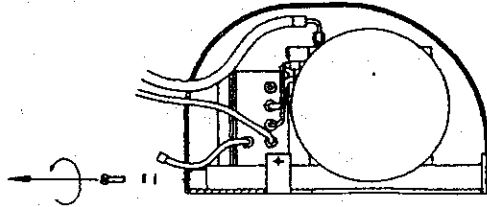
Content	After every 500 hour working or every 3 months later	After every 2000 hours working or every year
Check oil level of oil tank	☆	
Check the cleanliness of oil filter	☆	
Fasten all the connecting parts again	☆	
Check wear and tear of pressure oil pipes	☆	
Check hydraulic cylinder	☆	
Fix main parts tightly again	☆	
Check the function of micro-switches	☆	
Check whole working state of the lift table	☆	
Lubricate all the joints and pivot points	☆	
Check wear and tear of all axial bushes		☆
Replace hydraulic oil for the first time	Accumulated working ten hours	
Replace hydraulic oil		☆
Check oil leaking		☆
<i>Remark: ☆ stands for proceeding the item.</i>		

8. TROUBLE SHOOTING

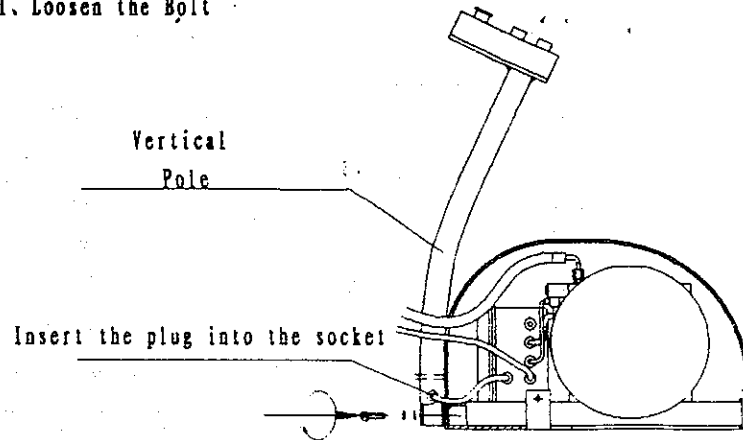
Note: Before service it is necessary to screw two eyebolts into relevant screw-holes on the basis lest the table lowers accidentally.

Trouble	Cause	Remedy
Table cannot lift while motor works normally	<ul style="list-style-type: none"> ◇ Eyebolt has not been removed ◇ AC Voltage phrases mistake ◇ Electromagnetic dysfunctions ◇ The table is overloaded 	<ul style="list-style-type: none"> ◇ Remove eyebolt ◇ Correct AC voltage phrase electromagnetic valve and repair it ◇ Remove excessive load
Table cannot lift and motor does not work	<ul style="list-style-type: none"> ◇ Lowering limit switch (if switched) damaged 	<ul style="list-style-type: none"> ◇ Replace limit switch
Table cannot lower	<ul style="list-style-type: none"> ◇ Lowering limit switch or micro-switch on safety guard damaged ◇ Electromagnetic valve dysfunctions ◇ Safety guard works ◇ Something wrong with electric circuit board 	<ul style="list-style-type: none"> ◇ Replace lowering limit switch or micro-switch. ◇ Check the function of electromagnetic valve and repair it ◇ Strike the UP button slightly ◇ Replace electric circuit board
Table's legs go over limit position (if existed) while table lowers	<ul style="list-style-type: none"> ◇ Internal leaking in electromagnetic valve ◇ Packing damaged in hydraulic cylinder 	<ul style="list-style-type: none"> ◇ Repair electromagnetic valve and if necessary replace it ◇ Check and replace packing
Table cannot reach the highest position	<ul style="list-style-type: none"> ◇ Oil not enough ◇ Limit switch damaged 	<ul style="list-style-type: none"> ◇ Fill enough oil ◇ Check and repair limit switch. If necessary, replace it

Instruction for Power Pack Installment

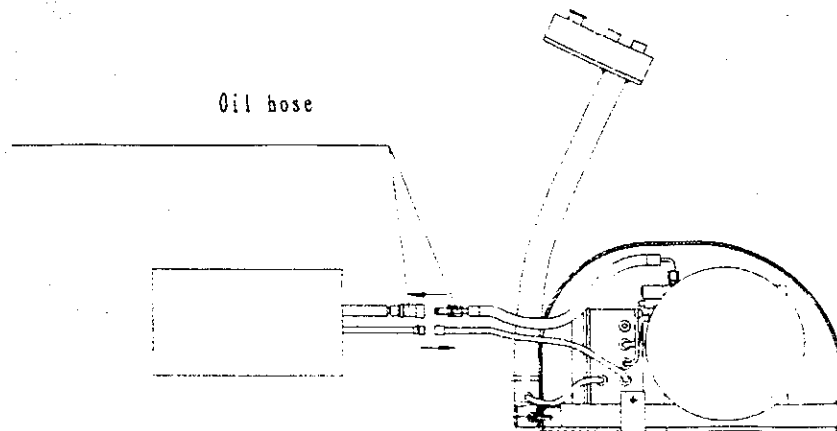


1. Loosen the Bolt



2. a) Install the vertical pole and fix them by tightening the screw showed in the figure.

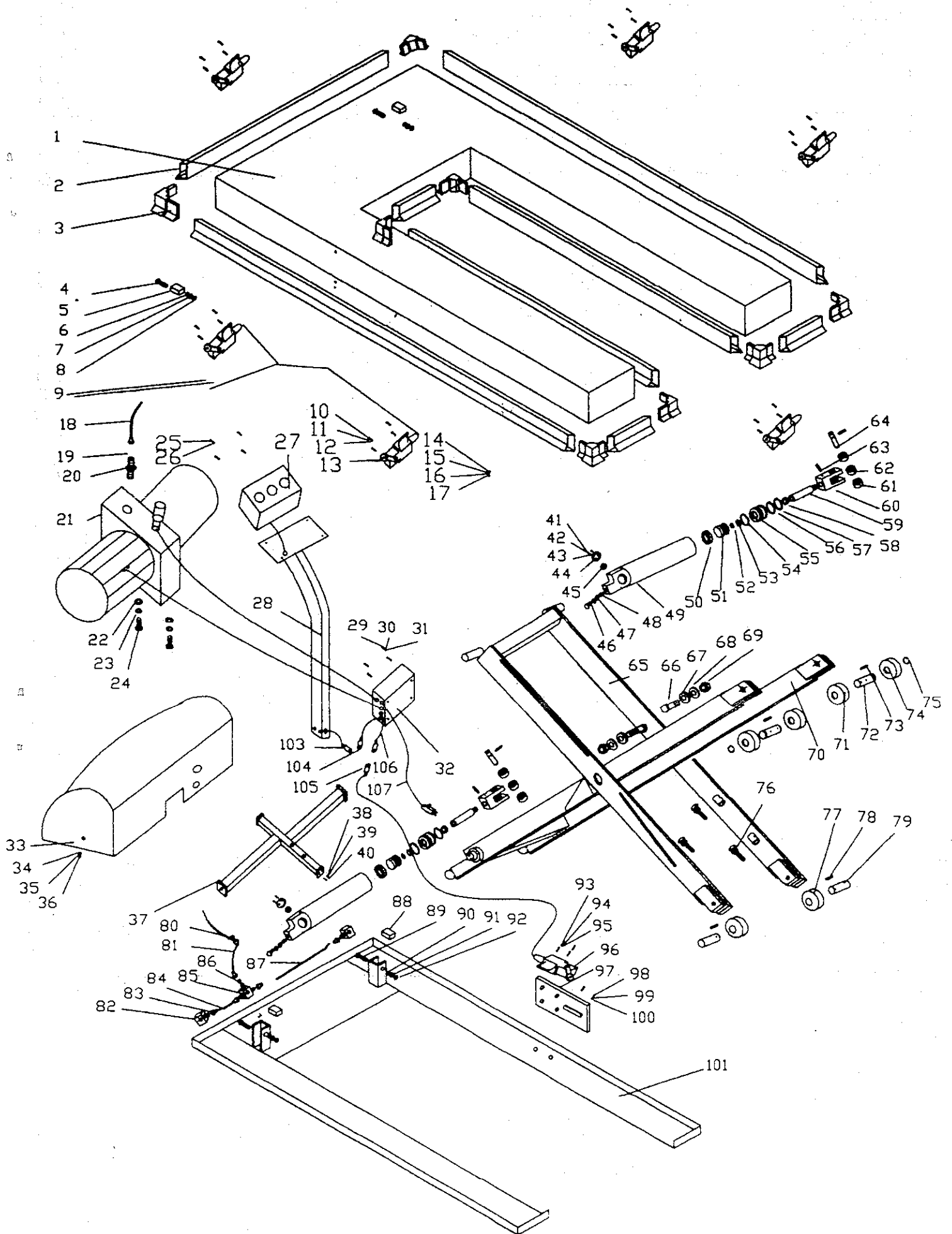
b) Insert the plug of power and the plug of the handle each other.



3. a) Join the oil juse of control box and the one of the lift table.

b) Join the plug of the control box with the lift table.

ETU¹⁰⁰⁰/₁₅₀₀ "U" Type Electric Lift Table



ETU1000/1500 Low Profile Electric Lift Table

No.	Description	Q'ty	No.	Description	Q'ty	No.	Description	Q'ty
1	Table	1	35	Spring Washer	3	69	Set Nut	2
2	Safe Cover	8	36	Semicircle Screw	3	70	Link Assembly	2
3	Corner	8	37	Motor Holder	1	71	Roller Guide	2
4	Hex Cap Bolt	2	38	Flat Washer	2	72	Shaft	2
5	Nylon Washer	2	39	Spring Washer	2	73	Spring Pin	4
6	Flat Washer	2	40	Hex Cap Bolt	2	74	Roller Guide	2
7	Spring Washer	2	41	Hex Cap Bolt	4	75	C-ring	2
8	Nut	2	42	Spring Washer	4	76	Flying Rings	3
9	Wire	1	43	Flat Washer	4	77	Roller Guide	2
10	Semicircle Bolt	24	44	Big Washer	2	78	Spring Pin	2
11	Flat Washer	24	45	Bearing	2	79	Shaft	2
12	Spring Washer	24	46	Oil Pipe Tie-in	2	80	Fast Speed Cylinder Tie-in	1
13	Switch (1)	6	47	Assembly Washer	4	81	Short Oil Pipe	1
14	Big Washer	6	48	Safe Valve	2	82	Oil Pipe Tie-in	2
15	Flat Washer	6	49	Cylinder	2	83	Tie-in	4
16	Spring Washer	6	50	Oil Seal	2	84	Steel Oil Pipe	1
17	Hex Cap Bolt	6	51	Piston	2	85	Oil Pipe Tie-in	1
18	Long Oil Pipe	1	52	Steel C-ring	2	86	O-ring	1
19	O-ring	1	53	O-ring	2	87	Long Steel Oil Pipe	1
20	Tie-in	1	54	O-ring	2	88	Nylon Washer	2
21	Power Pack	1	55	Top Nut	2	89	Hex Cap Bolt	2
22	Flat Washer	2	56	Steel Washer	2	90	Flat Washer	2
23	Spring Washer	2	57	C-ring	2	91	Spring Pin	2
24	Hex Cap Bolt	2	58	Dust Cover	2	92	Hex Nut	2
25	Semicircle Bolt	2	59	Lift Piston	2	93	Semicircle Screw	4
26	Spring Washer	2	60	Top Holder	2	94	Spring Washer	4
27	Switch (2)	1	61	Side Wheel	4	95	Flat Washer	4
28	Switch Holder	1	62	Centre Wheel	2	96	Switch	1
29	Semicircle Bolt	2	63	Spring Pin	1	97	Install Board	1
30	Flat Washer	2	64	Top Pin	2	98	Hex Cap Bolt	2
31	Spring Washer	2	65	Link Assembly	2	99	Spring Washer	2
32	Wire	1	66	Link Pin	2	100	Flat Washer	2
33	Cover	1	67	Big Flat Washer	2	101	Frame	1
34	Flat Washer	3	68	Nylon Washer	2			