

T & S Equipment Company
2999 North Wayne St
Angola, IN 46703
219-665-9521

Revised 5-97

*A company dedicated to solving ergonomic
and material handling problems since 1955.*

OWNER'S MANUAL

**Foot Pump Scissor Table
Model - SCTAB-2000**

Contents

Warnings and Safety Instructions	1	Parts List For Foot Pump	5
Receiving Instructions	1	Trouble Shooting Guide	6
Loading Instructions	1	Exploded Parts Drawing For Scissor Table	7
Installation Instructions	2	Warning Label Identification	8
Periodic Maintenance Instructions	2	Material Safety Data Sheets	9-10
Operating Instructions	3	Warranty	11
Hydraulic Schematic	3	Service Record	11
Parts Drawing for Foot Pump	4	Ergonomic product Summary	12

WARNINGS & SAFETY INSTRUCTIONS

Read owner's manual completely before operating unit!

- * Not a personnel lift. Keep clear when operating.
- * Never go under platform if there is weight on unit.
- * Remove weight before working on unit.
- * Use only maintenance parts supplied or approved by the manufacturer.
- * Do not change pressure relief valve setting.
- * Do not clamp cylinder in a vise as you may distort barrel.
- * Never operate lift unless you are watching it.
- * Load lift as uniformly as possible.
- * Consult factory for uneven loading.
- * Do not continue to pump if unit is not raising.
- * Relieve system pressure by depressing foot lever after unit has come to rest.
- * Consult factory if adding a conveyor top or performing any modification to the original equipment.
- * Do not use, brake fluids or jack oils.
Use AW-32 Hydraulic oil or equal.
- * Make sure all operator safety labels are in place.

RECEIVING INSTRUCTIONS

Every unit is thoroughly tested and inspected prior to shipment. However, it is possible that the unit may incur damage during transit. If you see damage when unloading make a note of it on the SHIPPER RECEIVER.

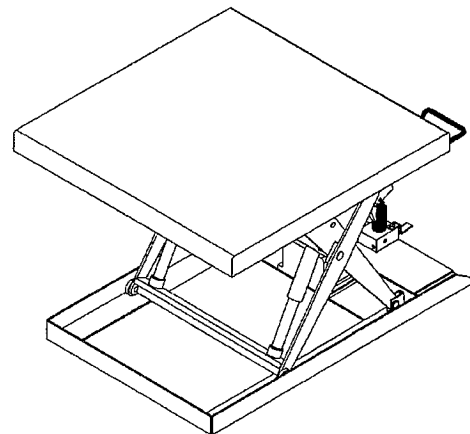
Remove all packing and strapping material, inspect for damage. IF DAMAGE IS EVIDENT, FILE A CLAIM WITH THE CARRIER IMMEDIATELY! Also, check the platform size, type of power unit, etc., to see that the unit is correct for the intended application.

MODEL NUMBER AND CAPACITY

The model number, serial number and capacity are inscribed on the nameplate. Please remember to include these numbers in any correspondence with your dealer or the factory.

LOADING

The load capacity rating as inscribed on the nameplate of your unit designates the net capacity, assuming the load is centered. This capacity must never be exceeded, as permanent damage or injury may result.



**Foot Pump Scissor Table
Model - SCTAB-2000**

INSTALLATION INSTRUCTIONS

Review Complete Owner's Manual Before Commencing Installation.

For installation you will need the following:

- 1.) A fork truck or hoisting means.
- 2.) Lag bolts, masonry drill, masonry bit, wrench for lag bolt, grout, and steel shims.

Move the lift with straps or forks under frame.

Read all the warning labels on the lift.

Check local codes pertaining to your application.

Be sure maintenance stop is in position before getting under platform.

After anchoring to floor, shim or grout the full length on the frame sides.

Operate lift through a few cycles. Check and add oil if necessary. See oil specifications under Periodic Maintenance Instructions.

Ordering Replacement or Extra Parts

Our company takes pride in using the finest available parts for our equipment. We are not responsible for equipment failure resulting from the use of unapproved replacement parts. To order replacement or extra parts for your equipment contact Customer Service at the factory. In any correspondence with the factory please include the **Serial Number** which is inscribed on the nameplate of the piece of equipment. Use only the part numbers provided in this Owner's Manual. When ordering parts for AC power units please indicate the motor phase and voltage that the equipment is operating on.

PERIODIC MAINTENANCE INSTRUCTIONS

(A) Before Each Use Check For The Following

- 1.) Oil leaks
- 2.) Pinched or chafed hoses
- 3.) Structural deformation of legs or deck
- 4.) Unusual noise or binding

Do not use if there are any of the above!

(B) Monthly Inspections

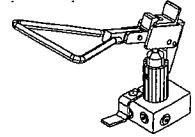
- 1.) Check oil level. Oil should be 1" to 1-1/2" below the top of the tank with the lift in the fully lowered position. Add as necessary.
- 2.) Check for oil leaks.
- 3.) Check pivot points for wear.
- 4.) Check for worn or damaged hydraulic hoses. Repair as necessary.
- 5.) Check rollers for looseness and wear. See Trouble Shooting Section.
- 6.) Check retaining rings at load rollers.
- 7.) Check for unusual noise. See Trouble Shooting Section.
- 8.) Make sure all warning labels are in place and in good condition.
- 9.) Clean off dirt and debris.

(C) Yearly Inspection

Hydraulic oil should be changed at least once a year, or sooner if the oil darkens or becomes gritty. Flush reservoir before refilling. Presence of water is indicated if the oil turns milky. Recommended oil: AW-32 Hydraulic fluid or equal.

All maintenance work must be performed by personnel who are trained and qualified to do the intended work.

Operating Instructions for Two-speed Hydraulic Foot Pump



Features:

Your new lift equipment has been supplied with an exclusive two-speed foot pump. The internal features of your pump include a primary pressure relief valve, pressure compensated return flow control valve, and an integrated lowering valve. Replaceable bushings, valve components, and seals have been utilized in the construction of the pump in the event that replacements are necessary.

Operating Instructions:

Stay clear of moving parts. The platform will rise as the foot pedal is pumped. Depressing the release lever will lower the table at a controlled rate of descent.

In the event the platform has been overloaded, the pressure relief will open because of excessive pressure buildup in the hydraulic system. Oil will bypass into the reservoir. **Never** change the pressure relief setting. **Do not** exceed the rated capacity of your lift equipment.

Speed Selection for Two-speed Pumps:

This pump offers two "speeds". The low speed produces *low volume/high pressure*. The high speed produces *high volume/low pressure*. The operator has the option of selecting the optimum pump speed for the application at hand. Pump speeds are selected by sliding the "lock collar" (See item # 2A on the parts identification) in or out. An occasional drop of oil will keep the collar working freely.

Air Bleed Procedure:

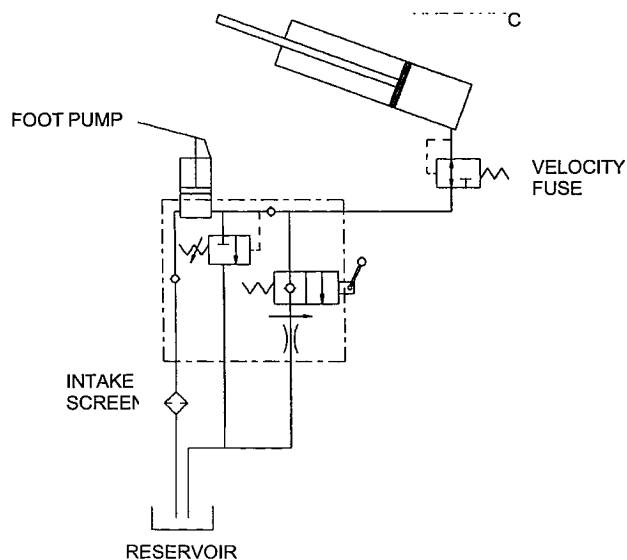
Whether your pump is a new installation, or has been recently serviced, air has likely entered the hydraulic system. The design of this pump includes an "air bleed screw" which will aid in the removal of unwanted air from the foot pump area of the hydraulic system. Use the following steps to remove this air from the system.

1) Check all fittings to be sure they are tight. Ensure that the oil is filled to within 1" of the top of the reservoir when the lift is in the fully lowered position.

2) Locate the "air bleed screw" (See item # 33 on the pump body) and loosen approximately 1/2 turn counterclockwise. As soon as you have loosened the screw, slowly depress the foot pedal. This will force the air out of the pump chamber. Before you let the pump pedal return to the "up" or "home" position, tighten the air bleed screw. This will prevent air from reentering the pump chamber. Repeat the above procedure until the pump chamber is completely filled with oil and a "spongy" feel is no longer present. If the air bleeding procedure has been successful, the feel of the pump pedal will be firm and the complete stroke of the pump will produce fluid flow.

Air can also become trapped in the hydraulic cylinder(s). Review your owner's manual for air removal instructions.

HYDRAULIC SCHEMATIC



Parts Identification for Single and Two-speed Hydraulic Foot Pump

	DESCRIPTION	PART NO.	QTY	
1	Assembly, lever delta foot pedal, double speed	01-540-003	1	
1A	Assembly, lever delta foot pedal, single speed	01-540-004	1	
2	Linkage for single-speed foot pump	NFP-LNK1	1	
2A	Linkage for two-speed foot pump	NFP-LNK2	1	
3	3/8" x 1-3/4" dia. detent pin	01-130-004	1	
3A	3/8" x 1-1/4" dia. detent pin	01-130-005	1	
4	Pump plunger	01-041-0041	1	
ⓑ	5	Piston wiper seal	550110	1
ⓑ	6	Piston U-cup seal	532101	1
7	Piston return spring	01-146-004	1	
8	1/4" x 1-1/2" spring pin	64251	1	
9	3/8" x 1-3/4" dia. Driv-Loc pin	01-130-004	1	
10	Sleeve sintered bronze bearing	01-111-038	3	
11	Fitting, "O"-ring plug	01-116-007	1	
12	Pressure compensated flow control valve	01-127-007	1	
13	Release check spring	01-146-002	1	
14	5/16" dia. steel ball	01-145-001	1	
15	Pump body	NFP-BDYMAN	1	
16	Fitting, "O"-ring plug	01-116-007	1	
17	3/8" dia. chrome steel ball	01-145-003	1	
18	Pressure relief spring	01-146-005	1	
ⓑ	19	Fitting, pressure adjustment plug	01-116-006	1
20	Fitting, "O"-ring plug	01-116-007	1	
21	Release pin	01-112-016	1	
ⓑ	22	Release pin seal retaining ring	565011	1
ⓑ	23	Release rod U-cup seal	01-144-002	1
24	Fitting, hydraulic plug	01-116-004	1	
25	Release lever	01-040-001	1	
26	Release lever retaining screw	01-119-001	1	
27	3/16" x 1-1/8" spring pin	64134	1	
28	5/16" dia. chrome steel ball	01-145-001	1	
29	Inlet check spring	01-146-001	1	
30	7/16" dia. chrome steel ball	01-145-004	1	
31	Outlet check spring	01-146-001	1	
32	Fitting, "O"-ring plug	01-116-007	1	
33	1/4" -20 x 1/4" socket head cap screw	562008	1	
ⓑ	34	1/4" sealing washer (copper with rolled core)	577004	1
ⓑ	Foot Pump rebuild kit (includes items 5,6,19,22,23,34)		01-136-403	1

ⓑ Kit item (included with purchase of kit)

A/L Available at local hardware store

1

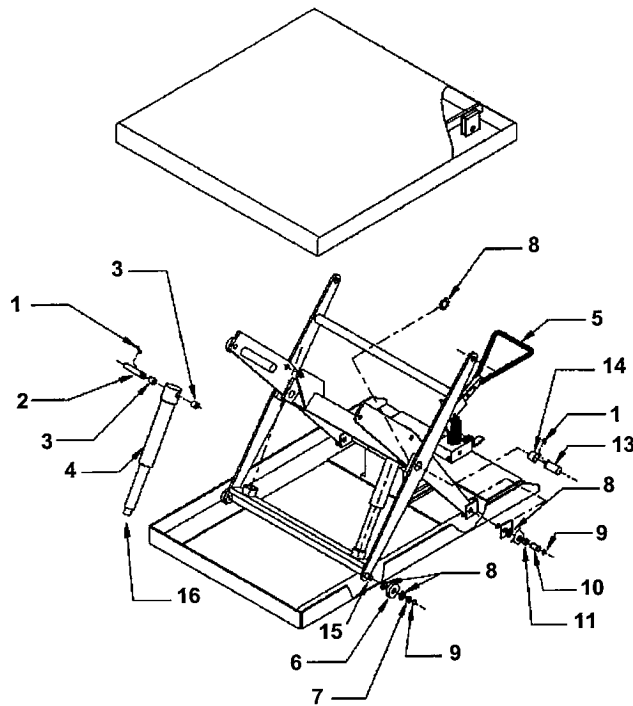
Note: Please provide serial number of lift when ordering replacement parts.

Trouble-shooting Guide for Two-speed Hydraulic Foot Pump

Observation	Possible Cause	Remedy
1.) Deck/forks do not raise	<ul style="list-style-type: none"> a. Excessive load b. Oil is low c. Pinched hose d. Relief valve set too low 	<ul style="list-style-type: none"> a. Remove part of the load b. Fill oil to within one inch of the top of the reservoir c. Correct as necessary d. Increase only as necessary
2.) Foot pedal goes down hard but deck/forks do not raise	<ul style="list-style-type: none"> a. Particle of dirt under the pressure relief b. Particle of dirt under inlet check 	<ul style="list-style-type: none"> a. Lower deck or forks- Disassemble, clean and reassemble pressure relief* b. Lower deck or forks- Disassemble, clean and reassemble inlet check valve*
3.) Unit will pump under no load or when rapidly stroked, or pedal will stroke without pumping	<ul style="list-style-type: none"> a. Pump is air locked b. Inlet check valve has foreign material on seat c. Relief setting is out of adjustment d. Foreign material on relief valve seat 	<ul style="list-style-type: none"> a. Bleed air from system inlet b. Remove and clean inlet ball and seat c. Adjust relief setting higher d. Lowering valve has foreign material on the seat or is stuck in the open position
4.) Platform raises when the pump is stroked but lowers on return stroke	<ul style="list-style-type: none"> a. Outlet check is leaking 	<ul style="list-style-type: none"> a. Clean foreign material from ball and seat
5.) Deck/forks raise but takes too much effort	<ul style="list-style-type: none"> a. Change pump displacement speed 	<ul style="list-style-type: none"> a. Slide locking collar back
6.) Deck/forks raise but is too slow	<ul style="list-style-type: none"> a. Change pump displacement speed b. Intake filter clogged c. Foreign material stuck under pressure relief valve or under inlet check valve 	<ul style="list-style-type: none"> a. Slide locking collar forward b. Lower deck or forks- drain reservoir, clean and flush debris, refill with clean oil c. Lower deck or forks- Disassemble, clean and reassemble pressure relief*
7.) Spongy or jerky operation	<ul style="list-style-type: none"> a. Check for foreign material stuck in the deck or frame rails b. Oil is low 	<ul style="list-style-type: none"> a. Correct as necessary b. Fill oil to within one inch of the top of the reservoir
8.) Deck/forks lower too slow	<ul style="list-style-type: none"> a. Pinched hose b. Intake filter clogged c. Foreign material lodged in velocity fuse d. Foreign material lodged in pressure compensated flow control valve 	<ul style="list-style-type: none"> a. Correct as necessary b. Correct as necessary c. Lower deck or forks- Disassemble, clean and reassemble* d. Lower deck or forks- Disassemble, clean and reassemble pressure relief*
9.) Deck/forks lower too fast	<ul style="list-style-type: none"> a. Foreign material lodged in pressure compensated flow control valve 	<ul style="list-style-type: none"> a. Lower deck or forks- Disassemble, clean and reassemble pressure relief*
10.) Deck/forks raise but do not lower	<ul style="list-style-type: none"> a. Foreign material lodged in pressure compensated flow control valve b. Release pin bent or missing c. Foreign object blocking roller travel d. Velocity fuse is locked 	<ul style="list-style-type: none"> a. Lower deck or forks- Disassemble, clean and reassemble pressure relief* b. Replace as necessary c. Correct as necessary d. Remove air from hydraulic system, to unlock, repressurize system (refer to hydraulic section in manual)

**Refer to exploded view*

SCTAB-2000
Hydraulic Scissor Lift Table



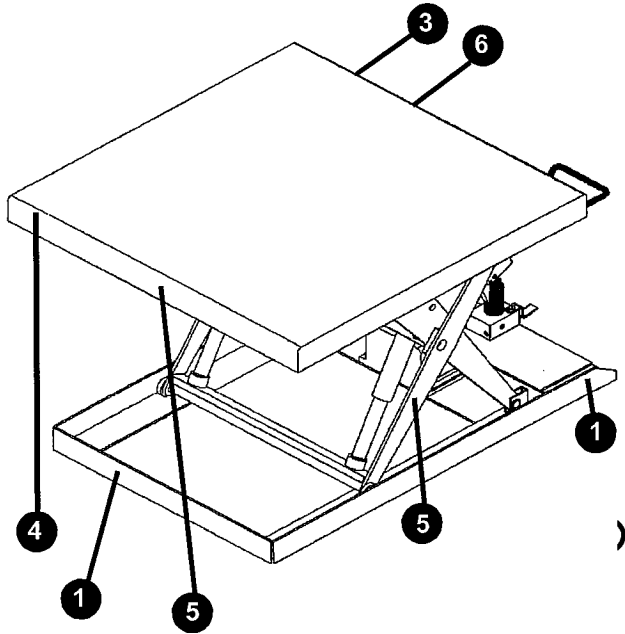
ITEM NO.	DESCRIPTION	PART NO.	QTY
(A) 1	3/16" x 1-1/8" spring pin	01-130-002	1
(A) 2	Cylinder mounting pivot pin	01-112-010	1
(A) 3	Cylinder mounting bushing	01-111-004	2
4	Hydraulic cylinder (1-1/2 x 7)	01-021-010	1
5	Two-speed hydraulic foot pump	01-640-005	1
6	Roller	01-027-002	4
(A) 7	Roller bushing	01-111-008	4
(A) 8	3/4" I.D. x 18 ga. machinery bushing - narrow rim	01-113-001	12
(A) 9	3/4" I.D. external retaining ring	01-117-002	12
(A) 10	Hinge pin	01-112-009	4
(A) 11	Hinge pin bushing	01-111-004	4
12	Hydraulic hose (not shown)	TS3130-02	1
(A) 13	Main axle pin	01-112-008	2
(A) 14	Main axle bushing	01-111-005	2
(A) 15	Roller pin (welding required)	01-112-007	4
16	Cylinder rod retainer bolt	01-118-002	1
17	Cylinder seal repair kit (not shown)	01-136-404	1
(A)	Service, parts, bearings & pins (includes 1-3, 7-11, 13-15)	01-002-403	1

(A) Kit item (included with purchase of kit)

A/L Available at local hardware store

WARNING LABEL IDENTIFICATION

MAKE SURE ALL WARNING LABELS ARE IN PLACE!



1

! WARNING SECURE FRAME TO FLOOR	! AVISO SECURE EL BASTIDOR AL PISO	! AVERTISSEMENT FIXER SOLIDEMENT LE CADRE AU PLANCHER
--	---	--

2 ON HYDRAULIC TANK (NOT SHOWN)

ISO AW-32
HYDRAULIC OIL OR EQUIVALENT
ACEITE HIDRÁULICO O EQUIVALENTE
HYDRAULIQUE OU ÉQUIVALENT

3 FOUND ON HANDLE

PLATFORM MUST BE LOWERED BEFORE MOVING LIFT
LA PLATAFORMA DEBE DE SER BAJADA ANTES DE MOVER EL MONTACARGAS
LA PLATE-FORME DOIT ÊTRE ABAISSÉE AVANT D'ACTIVER LE MONTE-CHARGE

4

FOR USER INSTRUCTIONS OR QUESTIONS CONTACT
PARA INSTRUCCIONES DE USO Ó CONSULTAS CONTACTAR
POUR INSTRUCTIONS OU QUESTIONS SUPPLÉMENTAIRES CONTACTER
T & S EQUIPMENT CO. • P.O. BOX 496 ANGOLA, IN 46703 • 1-800-348-0860 OR 219-665-9521

5 BOTH SIDES & FRONT END

! WARNING KEEP CLEAR OF PINCH POINT	! AVISO MANTENGASE ALEJADO DE PUNTO DE CORTE	! AVERTISSEMENT NE TENIR À DISTANCE DU POINT DE PINCEMENT
--	---	--

6

! DANGER TO AVOID PERSONAL INJURY READ OWNER'S MANUAL BEFORE OPERATING OR REPAIRING SCISSOR LIFT	! AVISO DO NOT PUT HANDS, FEET OR OBJECTS UNDER TOP. LOWER PLATFORM SLOWLY.	! AVERTISSEMENT DO NOT WORK UNDER LIFT WITHOUT SAFETY BLOCK OR WHILE LOADED. KEEP CLEAR OF MOVING SCISSOR LEG MECHANISM.	! DANGER DO NOT STAND, SIT OR RIDE ON LIFT
! PELIGRO PARA EVITAR DAÑOS PERSONALES LEA EL MANUAL DEL PROPIETARIO ANTES DE OPERAR O REPARAR EL ELEVADOR DE TIJERAS	! AVISO NO PONGA MANOS, PIES U OBJETOS DEBAJO DEL BORDE DESCENDIENDO LA PLATAFORMA LENTAMENTE.	! AVERTISSEMENT NO TRABAJE DEBAJO DEL ELEVADOR SIN LOS FRENOS DE SEGURIDAD O CUANDO ESTÉ CARGADO. MANTENGASE ALEJADO DEL MECANISMO DE TIJERA EN MOVIMIENTO.	! PELIGRO NO SE SIENTE, SE PARE, O VIAJE EN EL ELEVADOR
! ATTENTION POUR ÉVITER TOUTE BLESSURE PERSONNELLE LIRE LE MANUEL D'UTILISATION AVANT DE METTRE EN MARCHÉ OU AVANT DE RÉPARER L'ÉLEVATEUR CISEAU	! AVISO NE PAS METTRE LES MAINS, LES PIEDS OU TOUT OBJET SOUS LE PLATEAU SUPÉRIEUR. DESCENDRE LA PLAT-FORME LENTEMENT	! AVERTISSEMENT NE PAS TRAVAILLER SOUS L'ÉLEVATEUR SANS BLOCS DE SÉCURITÉ OU LORSQU'IL EST CHARGÉ. RESTER À L'ÉCART DU MÉCANISME CISEAU LORSQUE L'ÉLEVATEUR EST EN FONCTIONNEMENT.	! ATTENTION NE PAS SE TENIR DEBOUT, S'ASSEOIR OU MONTER SUR L'ÉLEVATEUR

*Product safety signs or labels should be periodically inspected and cleaned by the product users as necessary to maintain good legibility for safe viewing distance . . . ANSI 535.4 (10.21) Contact manufacturer for replacement labels if needed.

U.S. DEPARTMENT OF LABOR
Occupational Health and Safety Administration
MATERIAL SAFETY DATA SHEET

Required under USDL Safety and Health Regulations for Ship Repairing,
Shipbuilding, and Shipbreaking (29 CFR 1915, 1916, 1917)

SECTION I

MANUFACTURER'S NAME DR LUBRICANTS, INC.		EMERGENCY TELEPHONE NUMBER (219) 422-3240
ADDRESS 2701 S. Coliseum Blvd., Suite 1139, Fort Wayne, IN 46803		
CHEMICAL NAME AND SYNONYMS Not applicable		TRADE NAME AND SYNONYMS HO 150/200/300/500/1000
CHEMICAL FAMILY Hydraulic Oil	FORMULA Complex Mixture	

SECTION II - HAZARDOUS INGREDIENTS

PAINTS, PRESERVATIVES, & SOLVENTS	%	TLV (Units)	ALLOYS AND METALLIC COATINGS	%	TLV (Units)	
PIGMENTS Not applicable			BASE METAL Not applicable			
CATALYST "			ALLOYS "			
VEHICLE "			METALLIC COATINGS "			
SOLVENTS "			FILLER METAL "			
ADDITIVES "			OTHERS "			
OTHERS "						
HAZARDOUS MIXTURES OF OTHER LIQUIDS, SOLIDS, OR GASES					%	TLV (Units)
Note: Ethyl Corp. has reported to the U.S. EPA that in preliminary tests, certain zinc dialkydithiophosphates, when applied to the skin of male rabbits over a period of time, adversely effected spermatogenic activity.						
Exxon Chemicals Americas has reported to the U.S. EPA that in preliminary test, certain calcium salts of alkylated phenol sulfides, when applied to the skin of male rabbits over a period of time, adversely effected spermatogenic activity.						

SECTION III - PHYSICAL DATA

BOILING POINT (°F)	ND	SPECIFIC GRAVITY (H ₂ O = 1)	0.88
VAPOR PRESSURE (mm Hg)	NIL	PERCENT VOLATILE BY VOLUME (%)	NIL
VAPOR DENSITY (AIR = 1)	ND	EVAPORATION RATE (H ₂ O = 1)	NIL
SOLUBILITY IN WATER	NIL		
APPEARANCE AND ODOR Bright and clear with little or no odor.			

SECTION IV - FIRE AND EXPLOSION HAZARD DATA

FLASH POINT (Method used) 228° C (COC)	FLAMMABLE LIMITS	Lel ND	Uel ND
EXTINGUISHING MEDIA Dry chemical, water fog, foam, carbon dioxide			
SPECIAL FIREFIGHTING PROCEDURES Wear self-contained breathing apparatus if serious chemical fire			
UNUSUAL FIRE AND EXPLOSION HAZARDS None			

Form OSHA 20

SECTION V - HEALTH HAZARD DATA

THRESHOLD LIMIT VALUE 8 Hr. time weighted permissible exposure 5.0 mg/m ³ as oil mist
EFFECTS OF OVEREXPOSURE EYE: may cause slight irritation
INHALATION - none expected
SKIN - See notes in Section II
INGESTION - If large amount of material is swallowed, call physician.
EMERGENCY AND FIRST AID PROCEDURES
EYE CONTACT - Flush with water for 15 minutes. See a physician if irritation persists.
SKIN CONTACT - Wash with soap and water.
INGESTION - If large amount of material is swallowed, call physician.

SECTION VI - REACTIVITY DATA

STABILITY	STABLE		CONDITIONS TO AVOID
	UNSTABLE	X	Heat and flame
INCOMPATIBILITY (Materials to avoid) Strong oxidizing agents			
HAZARDOUS DECOMPOSITION PRODUCTS Carbon Monoxide and asphyxiants			
HAZARDOUS POLYMERIZATION	MAY OCCUR		CONDITIONS TO AVOID
	WILL NOT OCCUR	X	None known

SECTION VII - SPILL OR LEAK PROCEDURES

STEPS TO BE TAKEN IN CASE MATERIAL IS RELEASED OR SPILLED Consult local spill plan. Contain spilled liquid and absorb on suitable medium.
WASTE DISPOSAL METHOD Incinerate in an approved manner or use approved land fill facility. Conform to local disposal regulations.

SECTION VIII - SPECIAL PROTECTION INFORMATION

RESPIRATORY PROTECTION (Specify type) Usually not required		
VENTILATION	LOCAL EXHAUST Usually not required in open area.	SPECIAL NA
	MECHANICAL (General) As needed to comply with exposure limit.	OTHER NA
PROTECTIVE GLOVES Neoprene or Nitrile Rubber	EYE PROTECTION Safety glasses, goggles optional	
OTHER PROTECTIVE EQUIPMENT None		

SECTION IX - SPECIAL PRECAUTIONS

PRECAUTIONS TO BE TAKEN IN HANDLING AND STORAGE Normal handling and storage of petroleum products. Do not weld, heat, or drill container. Recap or bung, empty container still contains material which may ignite with explosive violence if heated sufficiently.
OTHER PRECAUTIONS

LIMITED WARRANTY

ONE YEAR LIMITED WARRANTY. The manufacturer warrants for the original purchaser against defects in materials and workmanship under normal use one year after date of purchase. (Not to exceed 15 months after date of manufacture.) Any part which is determined by the manufacturer to be defective in material or workmanship and returned to the factory, shipping costs prepaid, will be, as the exclusive remedy, repaired or replaced at our option. Labor costs for warranty repairs and/or modifications are not covered unless done at manufacturer's facilities. Any modifications performed without written approval of the manufacturer may void warranty. This limited warranty gives purchaser specific legal rights which vary from state to state.

LIMITATION OF LIABILITY. To the extent allowable under applicable law, the manufacturer's liability for consequential and incidental damages is expressly disclaimed. The manufacturer's liability in any event is limited to, and shall not exceed, the purchase price paid. Misuse or modification may void warranty.

WARRANTY DISCLAIMER. Our company has made a diligent effort to illustrate and describe the products shown accurately; however, such illustrations and descriptions are for the sole purpose of identification, and do not express or imply a warranty that the products are merchantable, or fit for a particular purpose, or that the products will necessarily conform to the illustrations or descriptions.

The provisions of the warranty shall be construed and enforced in accordance with the UNIFORM COMMERCIAL CODE and laws as enacted in the State of Indiana.

DISPOSITION. Our company will make a good faith effort for prompt correction or other adjustment with respect to any product which proves to be defective within the Limited Warranty. Warranty claims must be made in writing within said year.

SERVICE RECORD

DATE OF SERVICE: ____/____/____
WORK DONE BY: _____
SERVICE PERFORMED: _____

DATE OF SERVICE: ____/____/____
WORK DONE BY: _____
SERVICE PERFORMED: _____

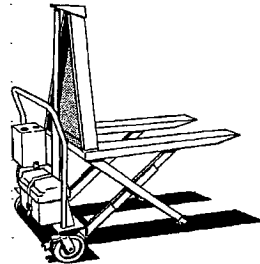
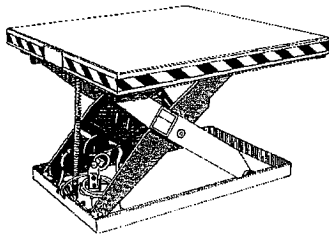
DATE OF SERVICE: ____/____/____
WORK DONE BY: _____
SERVICE PERFORMED: _____

DATE OF SERVICE: ____/____/____
WORK DONE BY: _____
SERVICE PERFORMED: _____

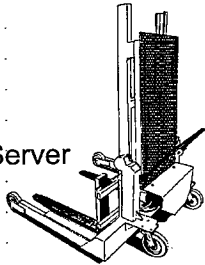
DATE OF SERVICE: ____/____/____
WORK DONE BY: _____
SERVICE PERFORMED: _____

DATE OF SERVICE: ____/____/____
WORK DONE BY: _____
SERVICE PERFORMED: _____

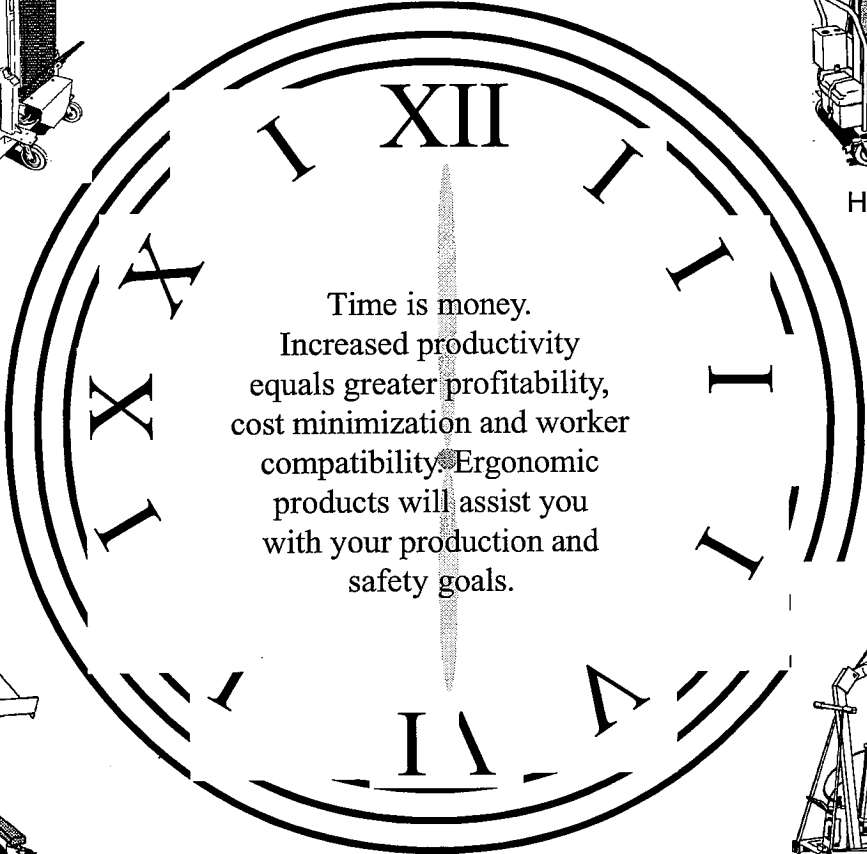
Material Handling Problem Solvers



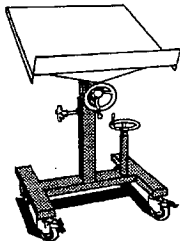
Pallet Server



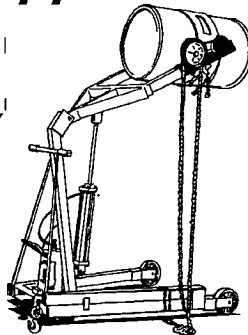
High Rise Lift



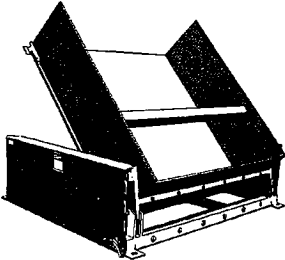
Time is money.
Increased productivity
equals greater profitability,
cost minimization and worker
compatibility. Ergonomic
products will assist you
with your production and
safety goals.



Mobile Lift & Tilt
Work Stand



Drum Carrier/Rotator



Ground Lift Tilter